

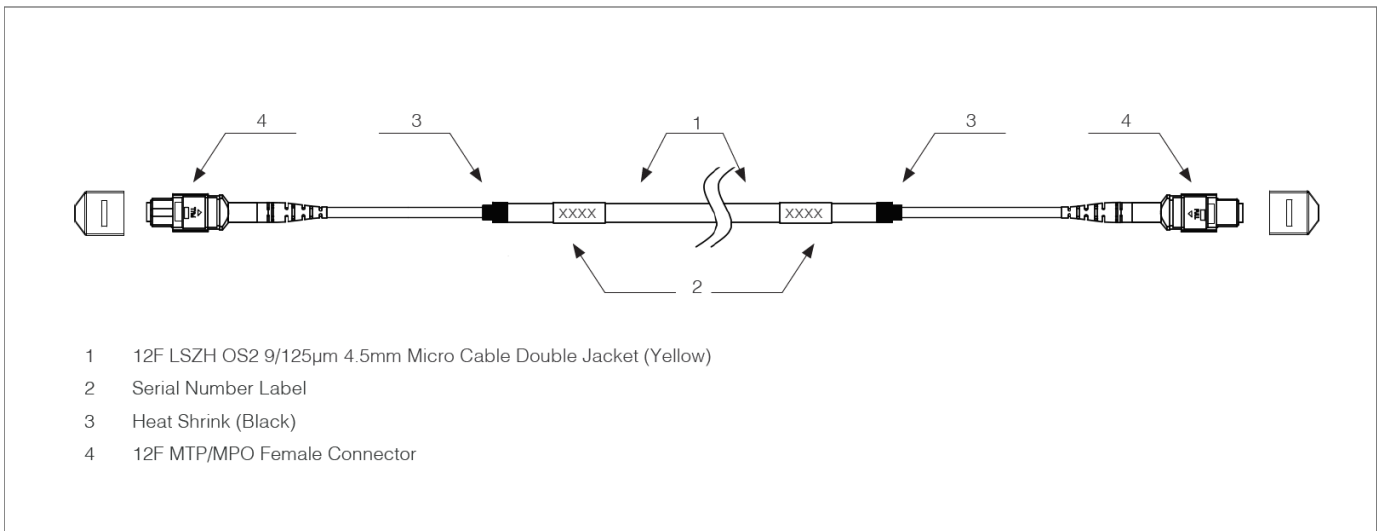
ALTIMEX 12F OS2 Trunk Cables



ALTIMEX Ultra low insertion loss MTP/MPO trunk cable for a 40G/100G direct connection.

The OS2 singlemode trunk cable is recommended for high-density data centre applications.

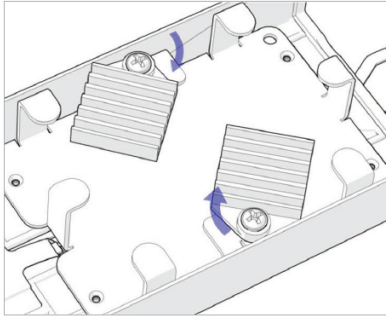
Our MTP/MPO trunk cables are fully tested for low insertion loss and back reflection on every connector and attenuation loss that meets or exceeds current industry standards.



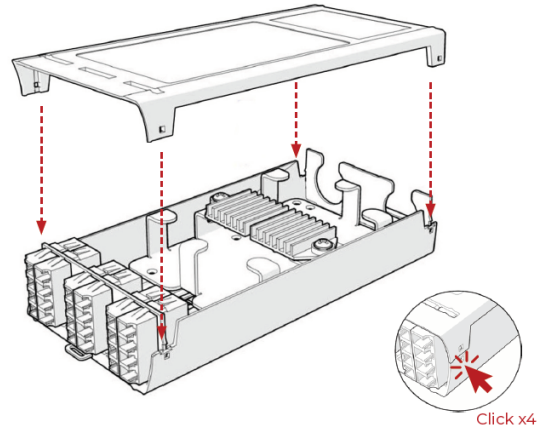
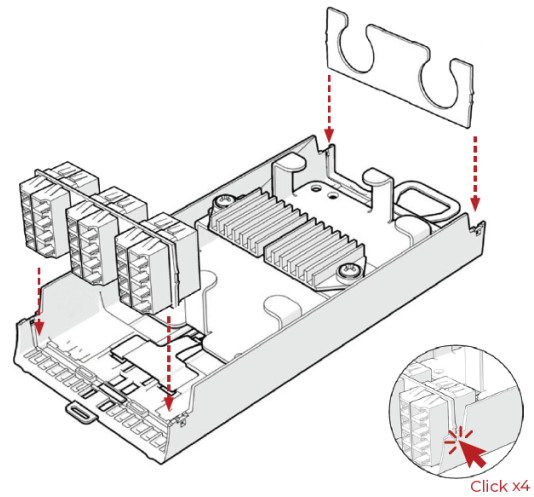
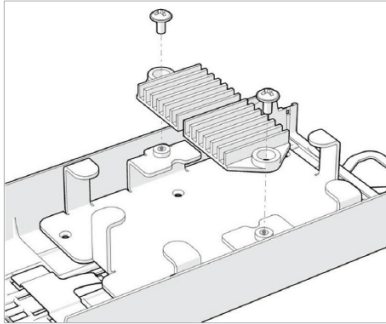
Multimode Product Specifications.

Connector A	MTP/MPO Female (pinless)	Connector B	MTP/MPO Female (pinless)
Fibre Mode	OS2 9/125µm SM	Wavelength	1310/1550nm
Polish Type	UPC to UPC	Minimum Bend Radius	10mm
Insertion Loss	0.35dB Max (0.15dB Typ.)	Return Loss	≥60dB
Attenuation at 850nm	≤0.32 dB/km	Attenuation at 1550nm	≤0.18 dB/km
Jacket OD	4.5mm	Cable Jacket	LSZH
Installation Tensile Load	100 N	Long-Term Tensile Load	150 N
Operating Temperature	-20°C to +70°C	Storage Temperature	-40°C to +85°C

Product specification subject to change without prior notice.



To aid splicing either rotate splice holders as preferred, dress fibres in line with best practice and reassemble module.



Product specification subject to change without prior notice.