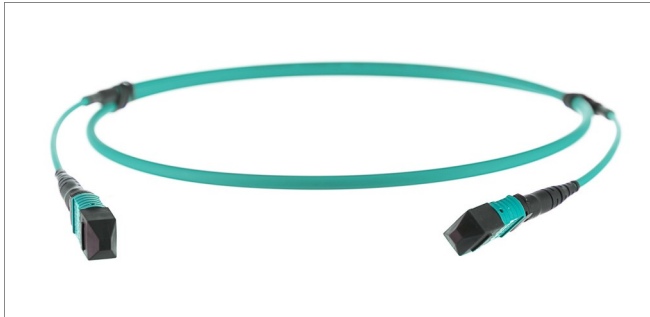


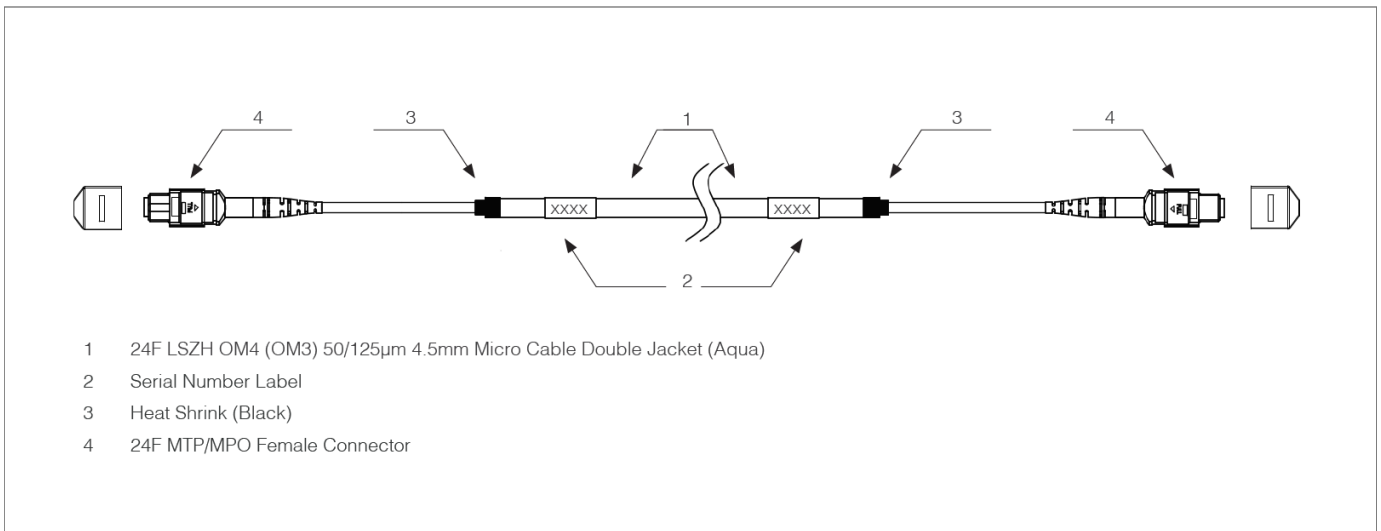
# ALTIMEX 24F OM4 / OM3 Trunk Cables



ALTIMEX Ultra low insertion loss MTP/MPO trunk cable for a 40G/100G direct connection.

The OM4 (OM3) multimode trunk cable is recommended for high-density data centre applications.

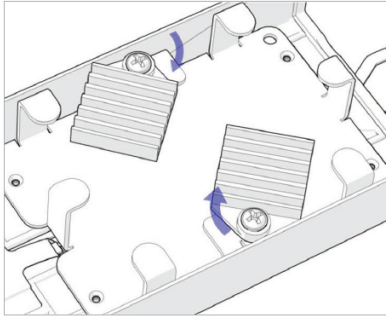
Our MTP/MPO trunk cables are fully tested for low insertion loss and back reflection on every connector and attenuation loss that meets or exceeds current industry standards.



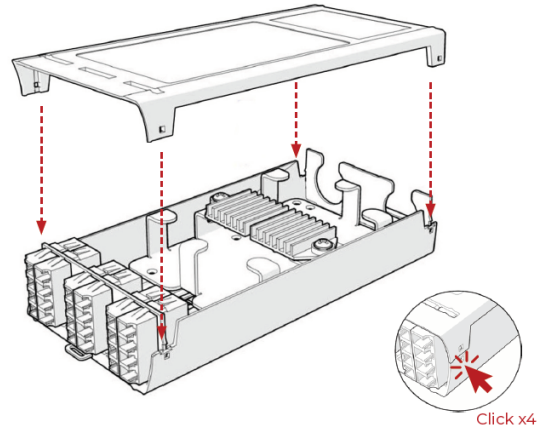
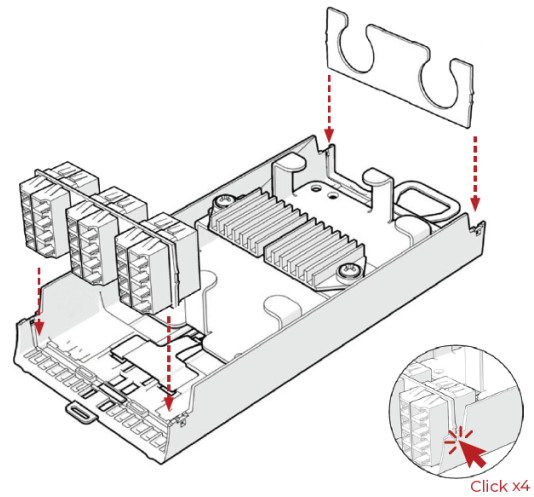
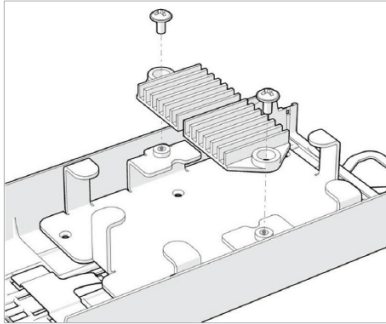
## Multimode Product Specifications.

Connector A	MTP/MPO Female (pinless)	Connector B	MTP/MPO Female (pinless)
Fibre Mode	OM4 (OM3) 50/125µm	Wavelength	850/1300nm
40/100G Ethernet Distance	150m at 850nm	10G Ethernet Distance	400m at 850nm
Polish Type	UPC to UPC	Minimum Bend Radius	7.5mm
Insertion Loss	0.35dB Max (0.15dB Typ.)	Return Loss	≥20dB
Attenuation at 850nm	≤2.3 dB/km	Attenuation at 1300nm	≤0.6 dB/km
Jacket OD	4.5mm	Cable Jacket	LSZH
Installation Tensile Load	66 N	Long-Term Tensile Load	150 N
Operating Temperature	-20°C to +70°C	Storage Temperature	-40°C to +85°C

Product specification subject to change without prior notice.



To aid splicing either rotate splice holders as preferred, dress fibres in line with best practice and reassemble module.



Product specification subject to change without prior notice.